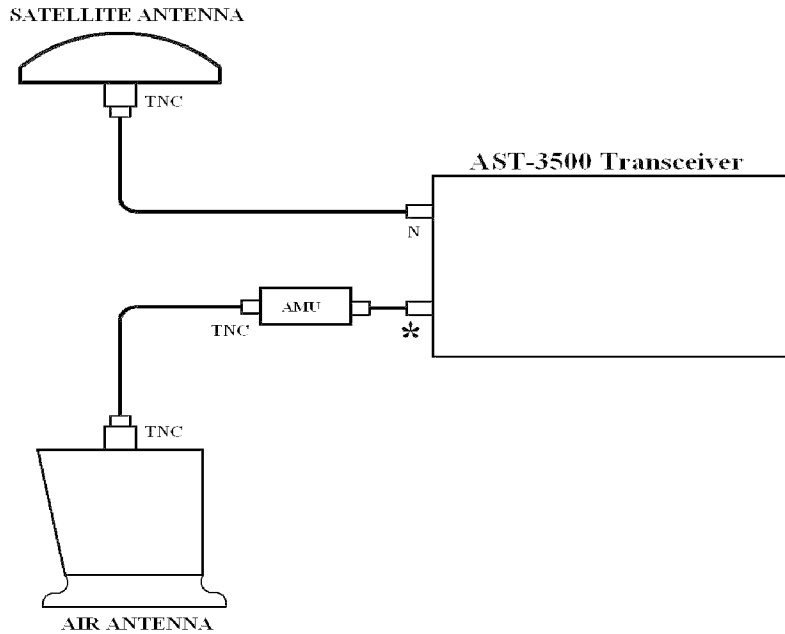


# AIRCELL AST-3500 RF CABLE WORKSHEET



**SATELLITE ANT. INFO:**

ANTENNA CABLE LENGTH : \_\_\_\_\_

CONN. ANGLE @ ANT. : \_\_\_\_\_

CONN. ANGLE @ LRU : \_\_\_\_\_

CONN. ORIENTATION (if any) : \_\_\_\_\_

**AIR ANT. INFO:**

ANTENNA CABLE LENGTH : \_\_\_\_\_

CONN. ANGLE @ ANT. : \_\_\_\_\_

CONN. ANGLE @ AMU : \_\_\_\_\_

CONN. ORIENTATION (if any) : \_\_\_\_\_

\* Cable from Transceiver to the Antenna Matching Unit (AMU) is supplied by Aircell.

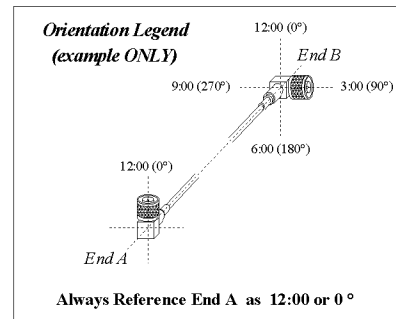
**LABELING:** Standard labeling is P/N, S/N and connection Info.

**Cable (Test) Requirements :**

Insertion Loss : 3.0 dB Max @ 900 MHz for the Satellite antenna cable.  
 Insertion Loss : 1.5 dB Max @ 900 MHz for the Air antenna cable.  
 VSWR : 1.4:1 max @ 900 MHz for each antenna cable.

**Connector Orientation**

(Assemblies ≤ 20 ft with (2) 90° Connectors)  
 Configuration Depicted : End B is **3:00 or 90°** from end A.



**CUSTOMER INFORMATION:**

CUSTOMER : \_\_\_\_\_

CONTACT : \_\_\_\_\_

PH # : \_\_\_\_\_

DATE : \_\_\_\_\_

NEED CABLES BY : \_\_\_\_\_

NEED QUOTE BY : \_\_\_\_\_