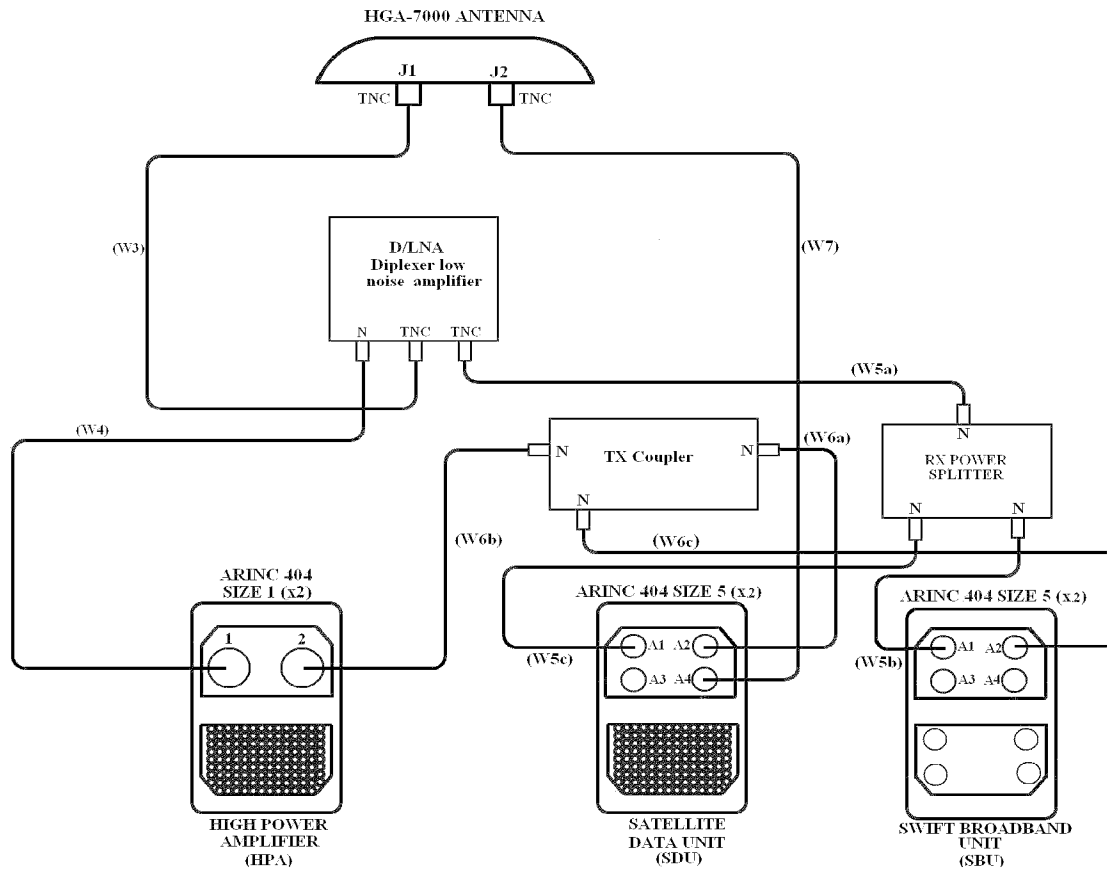


AERO-SB+ RF CABLE WORKSHEET

With HGA-7000 Antenna Sub-System



CABLE ASSEMBLY INFO:

W3 - LENGTH: _____ CONN. ORIENTATION: _____
 CONN ANGLE: @ D/LNA _____ @ Ant. _____
 W4 - LENGTH: _____
 CONN ANGLE: @ D/LNA. _____
 W5a - LENGTH: _____ CONN. ORIENTATION: _____
 CONN ANGLE: @ D/LNA. _____ @ Splitter _____
 W5b - LENGTH: _____
 CONN ANGLE: @ Splitter _____
 W5c - LENGTH: _____
 CONN ANGLE: @ Splitter _____
 W6a - LENGTH: _____
 CONN ANGLE: @ Coupler _____
 W6b - LENGTH: _____
 CONN ANGLE: @ Coupler _____
 W6c - LENGTH: _____
 CONN ANGLE: @ Coupler _____
 W7 - LENGTH: _____
 CONN ANGLE: @ Ant. _____

Labeling: Standard Labeling is P/N, S/N & connection Info.

CUSTOMER INFORMATION:

CUSTOMER : _____
 CONTACT : _____
 PH # : _____
 DATE : _____
 NEED CABLES BY : _____
 NEED QUOTE BY : _____

Cable (Test) Requirements :

- Insertion Loss:
- W3 - 0.3 dB max @ 1.6 GHz.
- W4 - 2.6 dB max @ 1.6 GHz including DLNA (0.8 dB) and W3 cable.
- W5a+W5b+Splitter (3.5 dB) - 3 to 25 dB max @ 1.6 GHz.
- W5a+W5c+Splitter (3.5 dB) - 3 to 25 dB max @ 1.6 GHz.
- W6a+W6b - 11 dB max @ 1.6 GHz.
- W6c - Same loss as W6a (+/- 2.5 dB) @ 1.6 GHz.
- W7 - 17 dB max @ 1.6 GHz.
- VSWR: 1.5:1 Max for each antenna cable.

Connector Orientation

(Assemblies < 20 ft with (2) 90° Connectors)
 Configuration Depicted : End B is 3:00 or 90° from end A.

