
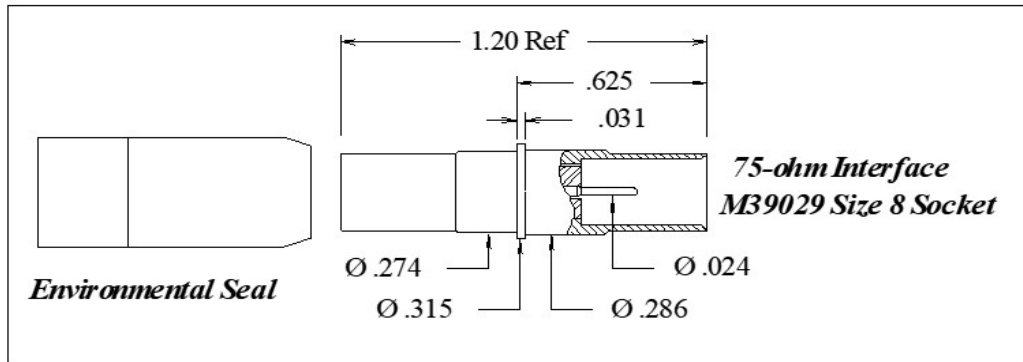


PIC Wire & Cable	Connector Specification	P/N 190941-01
<i>A Division of the Angelus Corporation</i> Ph (262) 246-0500 Fax (262) 246-0450 www.picwire.com PO Box 330 Sussex, WI 53089	Approved :  Distribution : USER	Date : 05/13/10 Rev : 6 (09/25/18) Uncontrolled if Printed

M39029 Size 8 Coaxial Socket Contact, *75 Ohm, w/ Environmental Seal

For PIC Coax Cable P/N V78209



PERFORMANCE

Nominal Impedance	75 Ohms
Frequency Range	0 - 4 GHz
Voltage Rating	750 V(rms)
Insulation Resistance	5000 Megohms
Dielectric Withstanding Voltage	1300 V(rms)
VSWR (max)	1.3:1
Insertion Loss (max)	0.3 dB

CONNECTOR WEIGHT (each)

0.17 ounces (4.83 grams)

RoHS COMPLIANT

Complies to RoHS Standards

INSTALLATION

Center Contact

M22520 / 1 - 01 Tool,
 Selector Dial @ # 4
 Recommended Positioner :
 PIC # 110657 (Daniels # TP1681)

Crimp Ferrule

M22520 / 5 - 01 Tool, with
 M22520 / 5 - 45 Hex Crimp Die,
 cavity A (.231" hex)

CONSTRUCTION

Materials:

Body	Beryllium Copper, ASTM-B196, Alloy UNS C17300
Center Contact	Beryllium Copper, ASTM-B196, Alloy UNS C17300
Ferrule	Brass, ASTM-B16, Alloy UNS 36000, Dead Soft,
Dielectric	TFE Fluorocarbon, ASTM-D1710, Type 1, Grade 1
Environmental Seal	Thermoplastic & Elastomer

Finish :

Body, Ferrule	Gold
Center Contact	Gold

APPLICATIONS

MIL-DTL-38999, Series I, III, IV
 SAE-AS39029/59

Notes :

- 1) Please refer to T-1909XX Termination Instruction sheet for strip dimensions & instructions.
- 2) Removal Tool P/N MIL-I-81969/14-12

*** Approved for use ONLY with mating 75 Ohm**

Interface contacts listed below :

- PIC # 190740, 190740-01,**
- PIC # 190940, 190940-01**