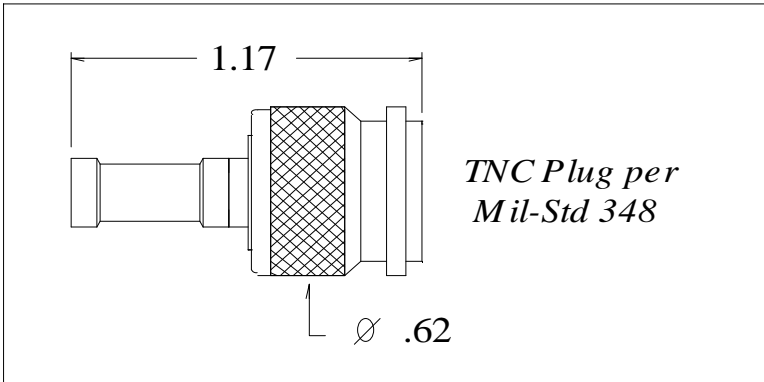
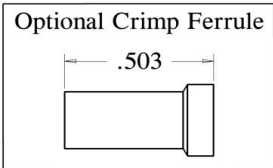


<b>PIC Wire &amp; Cable</b>	<b>Connector Specification</b>	<b>P/N 190808</b>
A Division of the Angelus Corporation Ph (262) 246-0500 Fax (262) 246-0450 www.picwire.com PO Box 330 Sussex, WI 53089	Approved : 	Date : 04/15/97
	Distribution : USER	Rev. 7 (04/09/15)
		Uncontrolled if Printed

**TNC Straight Plug**  
for PIC Cables S83204, S86208, S88207



*Features Not Shown : Safety Wire Holes, Gasket in Front*



**PERFORMANCE**

Nominal Impedance	50 Ohms
Frequency Range	0 - 12 GHz
Voltage Rating	500 VRMS
Insulation Resistance	5000 Megohms

**CONNECTOR WEIGHT (Each)**

.56 ounces (15.88 grams)

**RoHS COMPLIANT**

Complies to RoHS Standards

**INSTALLATION**

**Center Contact**  
M22520 / 2 - 01 Tool,  
Selector Dial @ # 8  
Recommended Positioner :  
PIC P/N 110205 (Daniels K224-1)  
(Alternate - Daniels K224)

**Weatherproofing Crimp Ferrule**  
M22520 / 5 - 01 Tool,  
PIC 190818 Hex Crimp Die  
(.186/.222 hex)

**Optional Crimp Ferrule**  
M22520 / 5-01 Tool,  
\*MIL Spec M22520 / 5-09  
(.178 A hex)

\* Note - MIL Spec die to be used on smaller diameter area of "optional" crimp ferrule only. Not the larger "Bell" area on end.

**CONSTRUCTION**

**Materials:**

Body	Brass, ASTM-B16, Alloy UNS 36000, H02
Center Contact	Brass, ASTM-B16, Alloy UNS 36000, H02
Ferrule	Brass, ASTM-B16, Alloy UNS 36000, Dead Soft, Weatherseals included
Dielectric	TFE Fluorocarbon, ASTM-D1710, Type 1, Grade 1

**Finish :**

Body, Ferrule	TRI-M3
Center Contact	Gold

**Applicable Standards**

MIL-STD 348
MIL-PRF-39012

- Notes :**
- 1) A 2.0" piece of Raychem ATUM heat shrink P/N ATUM-12/3-0 provided with connector for purpose of strain relief & moisture protection.
  - 2) Please refer to T-1908XX Termination Instruction sheet for strip dimensions & instructions.