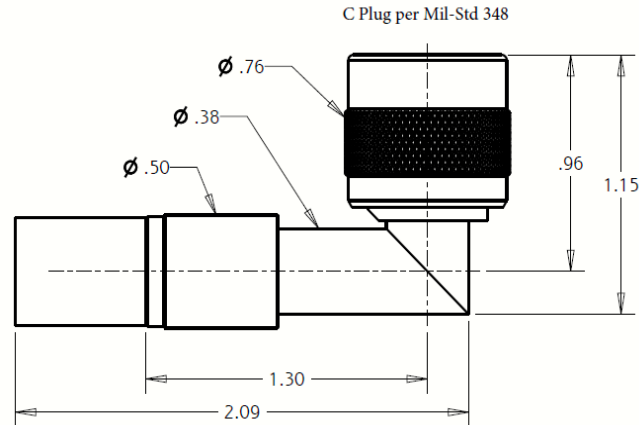


C (50 Ohm) 90° Plug
 for UH22089



Features Not Shown : Gasket in Front

PERFORMANCE

Nominal Impedance :	50 Ohms
Frequency Range :	0 - 12 GHz
Voltage Rating :	1000 V(rms)
Insulation Resistance :	5000 Megohms
DW Voltage :	3000 V (rms)
Insertion Loss (max) :	0.24 dB max @ 12 GHz
Insertion Loss :	$0.07 \sqrt{F(\text{GHz})}$
Temperature Rating :	-65° to +165° C

CONNECTOR WEIGHT (Each)

1.80 ounces (51.03 grams)

RoHS COMPLIANT

Complies to RoHS Standards

INSTALLATION

Center Contact

Solder Only

Crimp Ferrule

M22520 / 5-01 Tool
 M22520 / 5-25 Die Set
 (.429" A hex)

CONSTRUCTION

Materials:

Body	Brass, ASTM-B16, Alloy UNS 36000, H02
Connector Contact	Beryllium Copper, ASTM-B196, Alloy UNS C17300
Outer Contact	Beryllium Copper, ASTM-B196, Alloy UNS C17300
Cable Contact	Brass, ASTM-B16, Alloy UNS 36000, H02
Ferrule	Brass, ASTM-B16, Alloy UNS 36000, Dead Soft, Or Copper, ASTM-B152, Alloy C12200
Dielectric	TFE Fluorocarbon, ASTM-D1710, Type 1, Grade 1
Gasket	Silicone Rubber

Finish :

Body, Ferrule	Nickel
Center Contact	Gold

APPLICABLE STANDARDS

MIL-STD 348, MIL-PRF-39012

Notes :

- 1) A 2.5" piece of Raychem ATUM heat shrink P/N ATUM-16/4-0 provided with connector for purpose of strain relief & moisture protection.
- 2) Please refer to T-1504XX Termination Instruction sheet for strip dimensions & instructions.