

PIC Wire & Cable

A Division of the Angelus Corporation

Ph 262-246-0500

Fax 262-246-0450

PO Box 330 Sussex, WI 53089

Connector Specification

120622

Approved

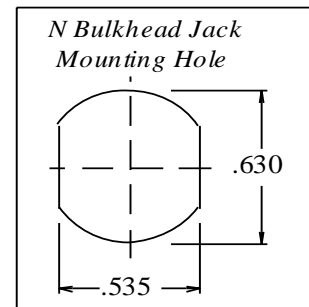
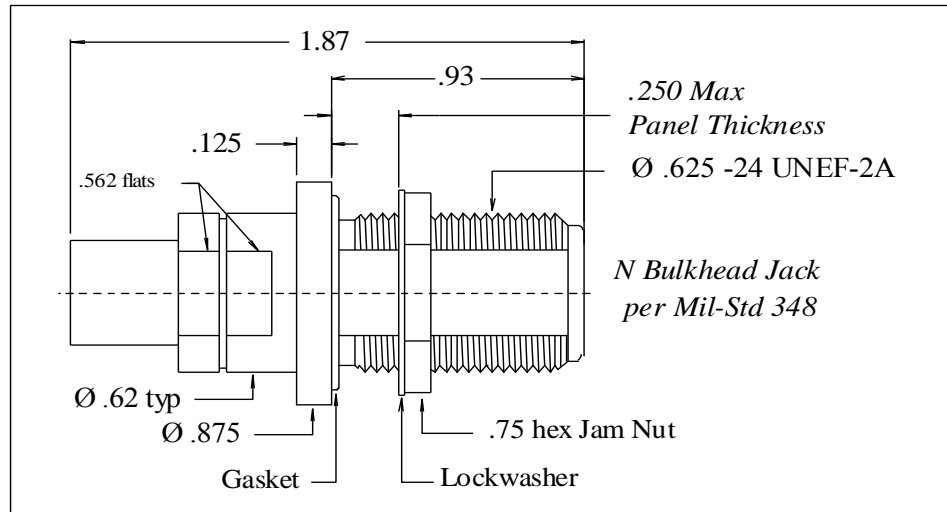
Date 03/03/11

Rev. 1 (06/11/13)

Distribution : USER

Uncontrolled Document

N Bulkhead Jack for S28110 & HH85295F Cables



PERFORMANCE

Nominal Impedance	50 Ohms
Frequency Range	DC - 18 GHz
Temperature Rating	- 65° to + 150° C
Voltage Rating	1000 VRMS

CONNECTOR WEIGHT (Each)

1.83 ounces (51.94 grams)

RoHS COMPLIANT

Complies to RoHS Standards

INSTALLATION

Recommended Jam Nut Torque - 35 to 40 in. lbs.

Solder-on Termination

CONSTRUCTION

Materials:

Body	Stainless Steel
Solder Bushing	Brass
Center Contact	Beryllium Copper
Dielectric	Ultem

Finish :

Body	Passivated
Solder Bushing	Gold
Center Contact	Gold

Applicable Standards	MIL-STD 348B MIL-C-39012
----------------------	-----------------------------

Notes :

- 1) A 2.5" piece of Raychem ATUM heat shrink P/N ATUM-16/4-0 provided with connector for purpose of strain relief & moisture protection.
- 2) Please refer to T-120622 Termination Instruction sheet for strip dimensions & instructions.