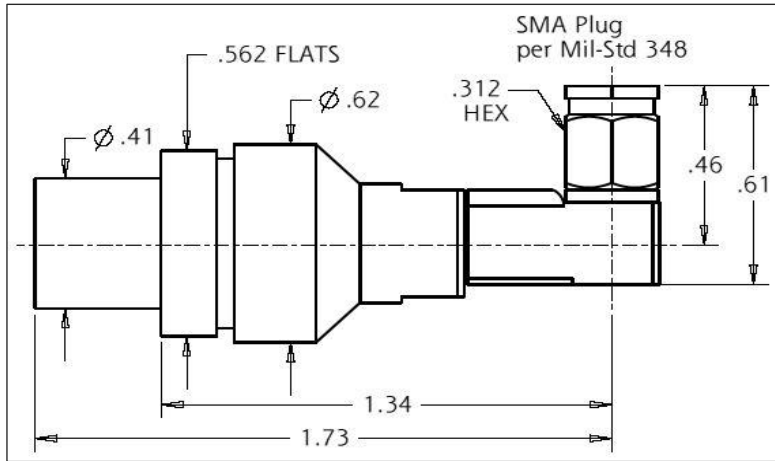


<b>PIC Wire &amp; Cable</b> <i>A Division of the Angelus Corporation</i> Ph 262-246-0500 Fax 262-246-0450 PO Box 330 Sussex, WI 53089	<b>Connector Specification</b>	<b>120615</b>
	Approved <i>MCT</i>	Date 11/17/10
	Distribution : USER	Rev. 2 (06/11/13) Uncontrolled Document

**SMA 90° Plug**  
for S28110 & HH85295F Cables



*Features Not Shown : Gasket, Safety Wire Holes*

**PERFORMANCE**

Nominal Impedance	50 Ohms
Frequency Range	DC - 18 GHz
Temperature Rating	- 65° to + 200° C
Voltage Rating	335 VRMS

**CONNECTOR WEIGHT (Each)**

1.04 ounces (29.48 grams)

**RoHS COMPLIANT**

Complies to RoHS Standards

**INSTALLATION**

Solder-on Termination

**CONSTRUCTION**

***Materials:***

Body	Stainless Steel
Coupling Nut	Stainless Steel
Center Contact	Beryllium Copper
Solder Ferrule	Brass
Dielectric	PTFE
Gasket	Silicon Rubber
Lock Ring	Beryllium Copper

***Finish :***

Body, Coupling Nut	Passivated
Solder Ferrule	Gold
Center Contact	Gold

<i>Applicable Standards</i>	MIL-STD 348A MIL-C-39012
-----------------------------	-----------------------------

***Notes :***

1) A 2.5" piece of Raychem ATUM heat shrink P/N ATUM-16/4-0 provided with connector for purpose of strain relief & moisture protection.

2) Please refer to T-120615 Termination Instruction sheet for strip dimensions & instructions.