
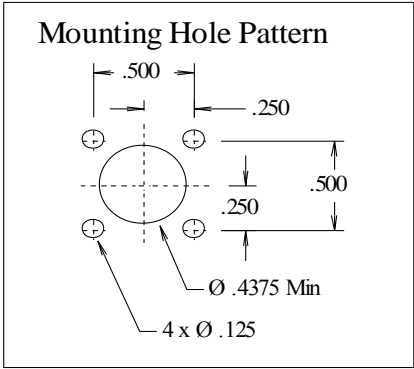
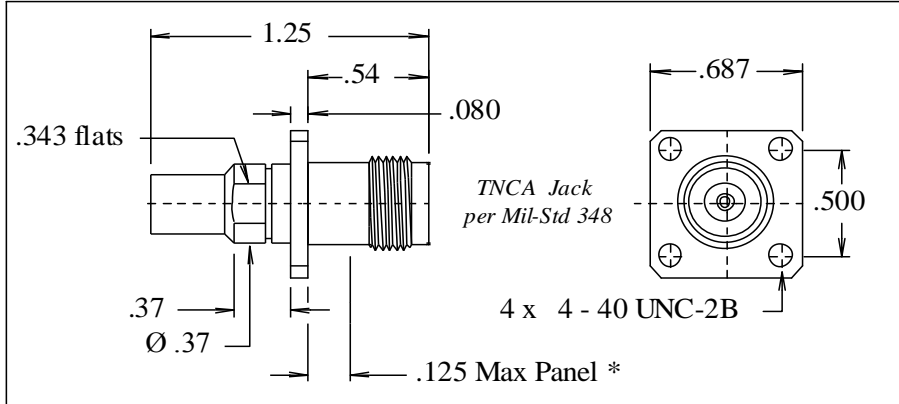


<b>PIC Wire &amp; Cable</b> <i>A Division of the Angelus Corporation</i> Ph 262-246-0500 Fax 262-246-0450 PO Box 330 Sussex, WI 53089	<b>Connector Specification</b>	<b>120526</b>
	Approved 	Date 06/22/10
	Distribution : USER	Rev. 2 (06/11/13) Uncontrolled Document

**TNCA Panel Jack**  
for S29156, S28150, & HT77210F Cables



\* For use Only on mounting panels using flush Flat Head Screws

**PERFORMANCE**

Nominal Impedance	50 Ohms
Frequency Range	DC - 18 GHz
Temperature Rating	- 65° to + 200° C
Voltage Rating	500 VRMS

**CONNECTOR WEIGHT (Each)**

.57 ounces (16.10 grams)

**RoHS COMPLIANT**

Complies to RoHS Standards

**INSTALLATION**

Solder-on Termination

**CONSTRUCTION**

**Materials:**

Body	Stainless Steel
Solder Bushing	Brass
Center Contact	Beryllium Copper
Dielectric	PTFE, Ultem

**Finish :**

Body	Passivated
Solder Bushing	Gold
Center Contact	Gold

**Applicable Standards**

MIL-STD 348B  
MIL-C-39012

**Notes :**

- 1) A 1.5" piece of Raychem ATUM heat shrink P/N ATUM-12/3-0 provided with connector for purpose of strain relief & moisture protection.
- 2) Please refer to T-120526 Termination Instruction sheet for strip dimensions & instructions.