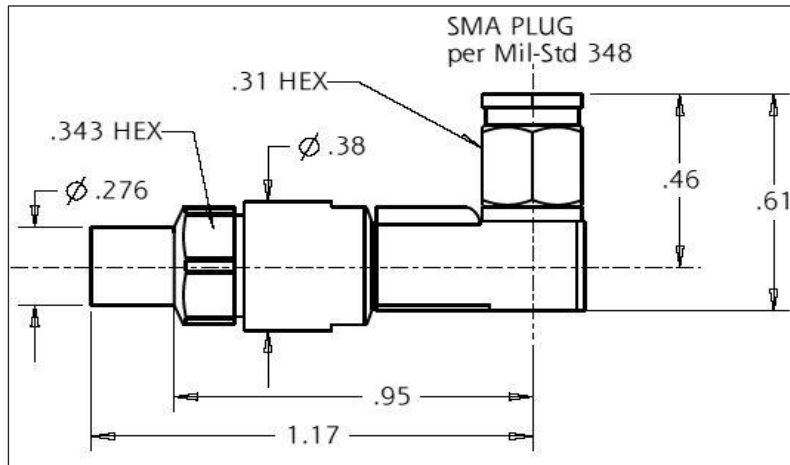


PIC Wire & Cable <i>A Division of the Angelus Corporation</i> Ph 262-246-0500 Fax 262-246-0450 PO Box 330 Sussex, WI 53089	Connector Specification	120515
	Approved <i>MCT</i>	Date 06/12/12
	Distribution : USER	Rev. 1 (06/11/13) Uncontrolled Document

SMA 90° Plug
for S29156, S28150, & HT77210F Cables



Features Not Shown : Gasket, Safety Wire Holes

PERFORMANCE

Nominal Impedance	50 Ohms
Frequency Range	DC - 18 GHz
Temperature Rating	- 65° to + 200° C
Voltage Rating	335 VRMS

CONNECTOR WEIGHT (Each)

.52 ounces (14.86 grams)

RoHS COMPLIANT

Complies to RoHS Standards

INSTALLATION

Solder-on Termination

CONSTRUCTION

Materials:

Body	Stainless Steel
Coupling Nut	Stainless Steel
Center Contact	Beryllium Copper
Solder Ferrule	Brass
Dielectric	PTFE
Gasket	Silicon Rubber
Lock Ring	Beryllium Copper

Finish :

Body, Coupling Nut	Passivated
Solder Ferrule	Gold
Center Contact	Gold

<i>Applicable Standards</i>	MIL-STD 348A MIL-C-39012
-----------------------------	-----------------------------

Notes :

1) A 1.5" piece of Raychem ATUM heat shrink P/N ATUM-12/3-0 provided with connector for purpose of strain relief & moisture protection.

2) Please refer to T-120515 Termination Instruction sheet for strip dimensions & instructions.