

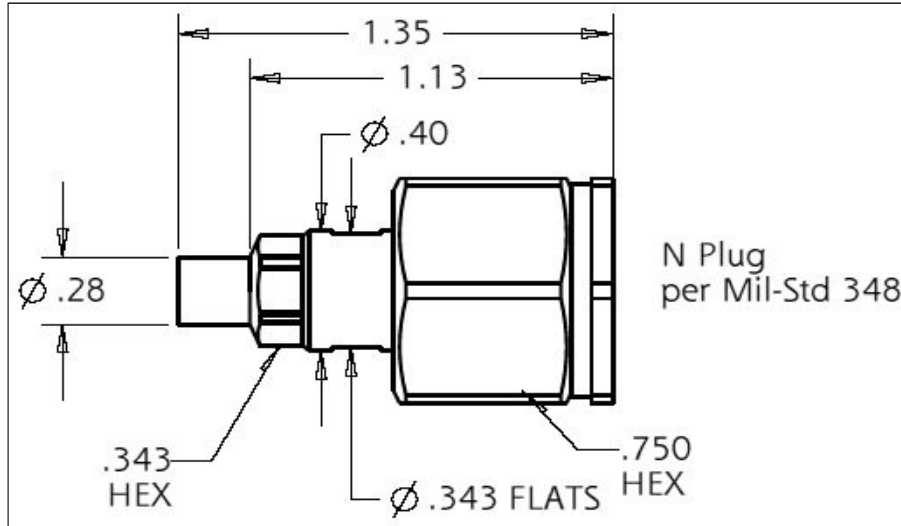
PIC Wire & Cable**Connector Specification****P/N 120510**

A Division of the Angelus Corporation
 Ph (262) 246-0500 Fax (262) 246-0450 www.picwire.com
 PO Box 330 Sussex, WI 53089

Approved : *MCT*
 Distribution : USER

Date : 06/14/12
 Rev : 2 (07/19/18)
 Uncontrolled if Printed

N Straight Plug
 for PIC Cable PN HT77210F



Features Not Shown : Safety Wire Holes, Gasket in Front

PERFORMANCE

Nominal Impedance	50 Ohms
Frequency Range	DC - 18 GHz
Temperature Rating	- 65° to + 165° C
Voltage Rating	1000 V(rms)
Insertion Loss	0.05 $\sqrt{F(\text{GHz})}$
Insulation Resistance	5000 Megohms min

CONNECTOR WEIGHT (Each)

1.15 ounces (32.64 grams)

RoHS COMPLIANT

Complies to RoHS Standards

INSTALLATION

Solder Termination - See Note 2

CONSTRUCTION**Materials :**

Body, Coupling Nut	Stainless Steel per ASTM-A582
Solder Bushing	Brass per ASTM-B16
Center Contact	Beryllium Copper per ASTM-B197
Dielectric	PTFE Fluorocarbon per ASTM-D1710
Dielectric Bead	Ultem 1000 per ASTM-D5205
Gasket	Silicone Rubber per A-A-59588

Finish :

Body	Passivated
Solder Bushing	Gold
Center Contact	Gold

APPLICABLE STANDARDS

MIL-PRF-39012, MIL-STD-348

Notes :

- 1) A 1.5" piece of Raychem ATUM heat shrink P/N ATUM-12/3-0 provided with connector for purpose of strain relief & moisture protection.
- 2) Please refer to T-120510 Termination Instruction sheet for strip dimensions & instructions.