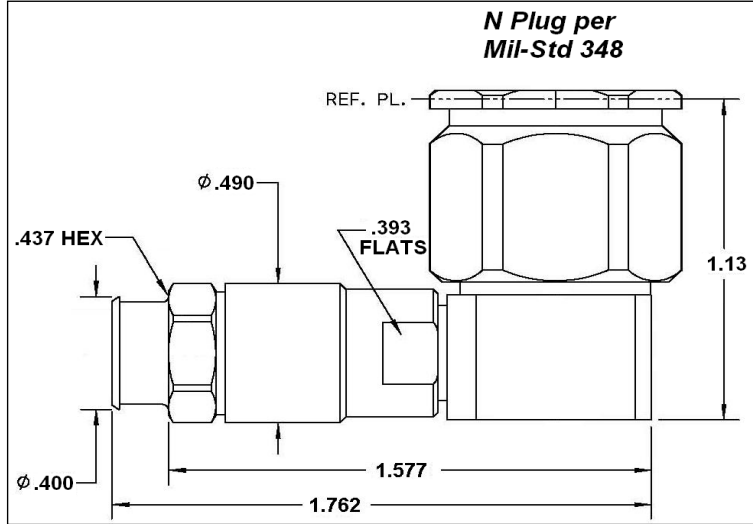


PIC Wire & Cable	Connector Specification	120211
<i>A Division of the Angelus Corporation</i>	Approved: <i>JMS</i>	Date 11/2/10
Ph (262) 246-0500 Fax (262) 246-0450 www.picwire.com		Rev. 2 (07/21/22)
N220 W1051 Springdale Road, Waukesha, WI 53186	Distribution : USER	Uncontrolled Document

N 90° Plug
for S28120 & HT77300F Cables



Features Not Shown : Safety Wire Holes, Gasket in Front

PERFORMANCE

Nominal Impedance	50 Ohms
Frequency Range	DC - 18 GHz
Temperature Rating	- 65° to + 200° C
Voltage Rating	500 VRMS

CONNECTOR WEIGHT (Each)

2.26 ounces (64.18 grams)

RoHS COMPLIANT

Complies to RoHS Standards

INSTALLATION

Solder-on Termination

CONSTRUCTION

Materials:

Body	Stainless Steel
Coupling Nut	Stainless Steel
Solder Ferrule	Brass
Center Contacts	Beryllium Copper
Dielectric	PTFE, Ultem
Gasket	Silicon Rubber

Finish :

Body, Coupling Nut	Passivated
Solder Ferrule	Gold
Center Contact	Gold

<i>Applicable Standards</i>	MIL-STD 348
	MIL-C-39012

Notes :

1) A 2.5" piece of Raychem ATUM heat shrink P/N ATUM-16/4-0 provided with connector for purpose of strain relief & moisture protection.

2) Please refer to T-120211 Termination Instruction sheet for strip dimensions & instructions.