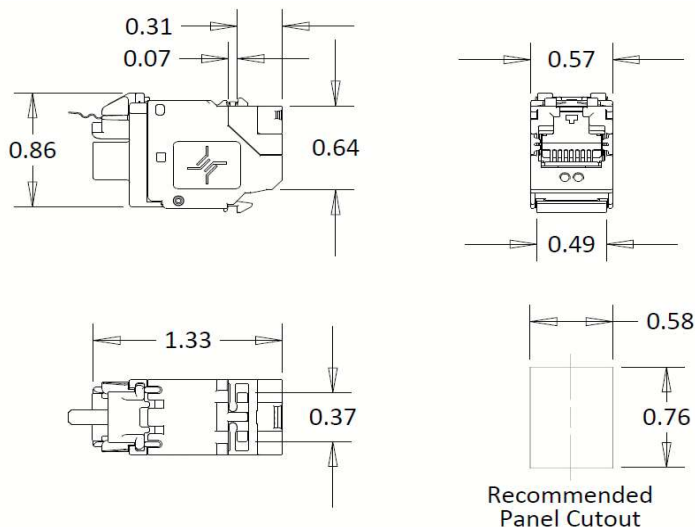


**RJ45 Panel Jack (Shielded Cat 8)**

For 24 AWG conductors with an insulation OD range of .039" - .063"  
 (For ANSI/TIA/EIA 568B Pin-Out Termination Only)

**PERFORMANCE**

Category 8.1, 40 GBase-T

Current/Voltage: 1.0 Amp @ 30 VAC / 42 VDC

Contact Resistance: 20 milliOhms Max

**ENVIRONMENTAL**

Temperature Rating -40° C to +70° C

Insertion / Extraction 750 cycles min

**CONNECTOR WEIGHT (Each)**

0.83 ounces (23.5 grams)

**RoHS COMPLIANT**

Complies to RoHS Standards

**REQUIRED TOOLING**

PIC P/N 110701 Soft Jaw Clamping Pliers

Note: Similar Soft Jaw Pliers can be used

**Notes:**

(1) 2 pieces of Raychem ATUM heat shrink provided with connector for purpose of strain relief & moisture protection.

(2) Please refer to T-111109 Termination Instruction sheet for strip dimensions & instructions.

**CONSTRUCTION****Materials:**

Jack Housing	Zinc diecast
Contacts	Spring Steel
Snap-in Hook	Polycarbonate, UL 94-V0
Wire Load Bar, Insulators	Polybutylene Terephthalate
PCB	FR4
IDC Contacts	Silicon Bronze
Shield	Phosphor bronze / copper alloy
Strain Relief	ATUM Dual Wall Heat Shrink (MIL-DTL-23053/4, Class 3)

**Finishes :**

Contacts	Gold
Plug Housing, Shield Contact	Nickel
IDC Contacts	Tin

**APPLICABLE STANDARDS**

ISO/IEC 11801-1, DIN EN 50173-1, IEC 60603-7-81  
 ANSI/TIA/EIA 568-C.2-1