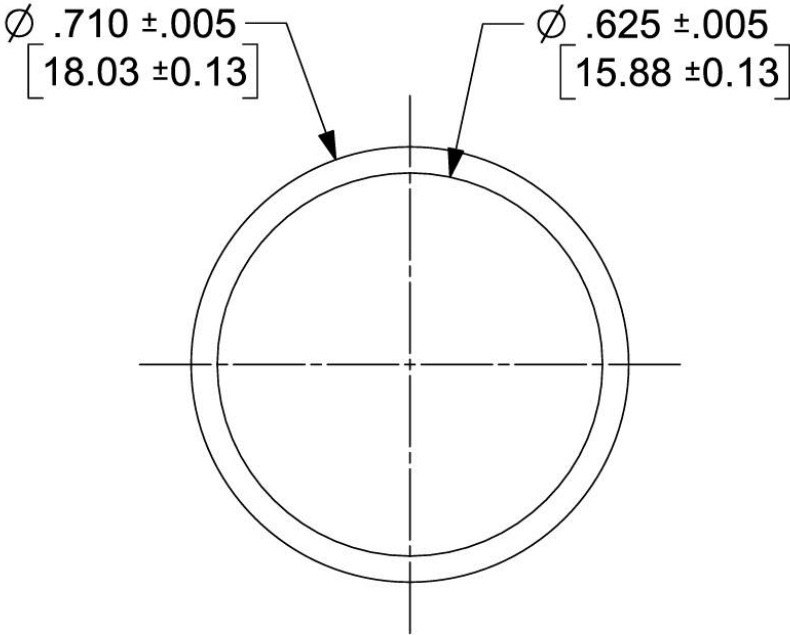


<b>PIC Wire &amp; Cable</b>	<b>Specification</b>	<b>P/N 111027</b>
<i>A Division of the Angelus Corporation</i> Ph (262) 246-0500 www.picwire.com PO Box 330 Sussex, WI 53089	Approved : <i>MCT</i>	Date : 03/24/17
	Distribution : USER	Rev. 0 Uncontrolled if Printed

**Sealing Gasket**  
*Used on PIC 50 Ohm RF Adapter P/N 190013*

*(Note: Drawing is not to scale)*



Gasket thickness to be 0.062" +/- .005

**CONSTRUCTION**

Silicon Rubber  
*Per ZZ-R-765*

**RoHS COMPLIANT**

Complies to RoHS Standards