
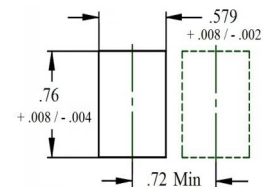
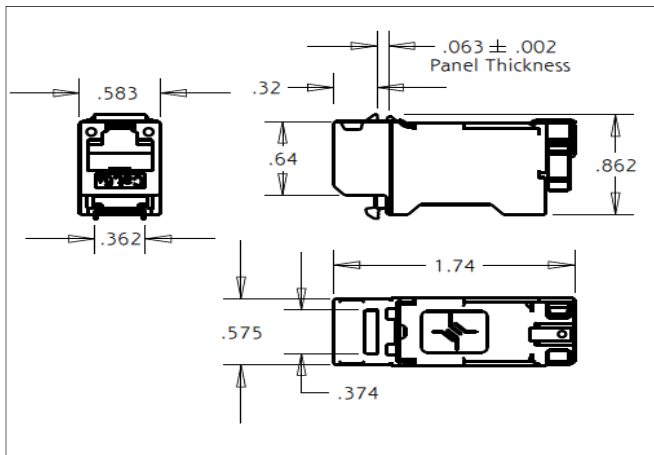


PIC Wire & Cable	Connector Specification	P/N 110938
<i>A Division of the Angelus Corporation</i> Ph (262) 246-0500 Fax (262) 246-0450 www.picwire.com PO Box 330 Sussex, WI 53089	Approved : 	Date : 04/14/16
	Distribution : User	Rev. 0
		Uncontrolled if Printed

RJ45 Panel Jack (Shielded Cat 6a)

For 22/26 AWG conductors with an insulation OD range of .035" - .063"
 (For ANSI/TIA/EIA 568B Pin-Out Termination Only)



Recommended Panel Cutout

PERFORMANCE

Exceeds ANSI/TIA/EIA Cat 6a

Current / Voltage: 1.0 Amps @ 30 VAC / 42 VDC

Contact Resistance: 20 milliOhms Max

ENVIRONMENTAL

Temperature Rating -40° C to +85° C

Insertion / Extraction 750 cycles Min

CONNECTOR WEIGHT (Each)

.90 ounces (25.5 grams)

RoHS COMPLIANT

Complies to RoHS Standards

REQUIRED TOOLING (2)

PIC 110701 Soft Jaw Clamping Pliers

Note : Similar Soft Jaw Pliers can be used

Notes :

(1) A 1.0" piece of Raychem ATUM heat shrink
 P/N ATUM-12/3-0 provided with connector

(2) Please refer to T-110938 Termination Instruction
 sheet for strip dimensions & instructions.

CONSTRUCTION

Materials:

Jack Housing	Zinc diecast
Contacts	Spring Steel
Snap-in Hook	Stainless Steel
Wire Load Bar, Insulators	Polybutylene Terephthalate
PCB	FR4
IDC Contacts	Silicon Bronze
Shield	Nickel Silver
Cable Ties	Nylon, UL94 V2
Strain Relief	ATUM Dual Wall Heat Shrink (MIL-DTL-23053/4, Class 3)

Finish :

Jack Housing	Nickel
Contacts	Gold
IDC Contacts, PCB	Tin

APPLICABLE STANDARDS

ANSI/TIA-1096-A
 ANSI/TIA/EIA 568-C.2