

A Division of the Angelus Corporation

Ph (262) 246-0500 Fax (262) 246-0450 www.picwire.com

PO Box 330 Sussex, WI 53089

Approved :

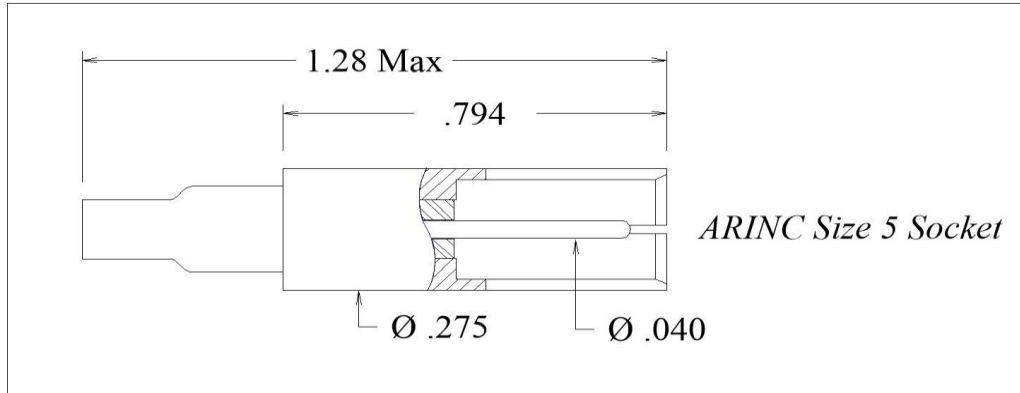
PFT

Date : 02/05/20

Rev. 0

Distribution : USER

Uncontrolled if Printed

ARINC Size 5 Socket
for PIC S31601 Coax Cable**PERFORMANCE**

Nominal Impedance	50 Ohms
Frequency Range	0 - 2 GHz
Voltage Rating	325 V(rms)
Insulation Resistance	5000 Megohms
Dielectric Withstanding Voltage	750 V(rms)

CONNECTOR WEIGHT (Each)

.19 ounces (5.44 grams)

RoHS COMPLIANT

Complies to RoHS Standards

INSTALLATION**Center Contact**

M22520 / 2 - 01 Tool,
Selector Dial @ # 5
Recommended Positioner :
Daniels # K345

Crimp Ferrule

TE (AMP) 220066-1 Circular Crimp Tool, cavity C (Ø .166")
Alternate: TE (AMP) 220066-2

CONSTRUCTION**Materials:**

Body	Brass, ASTM-B16
Center Contact	Brass, ASTM-B16
Ferrule	Copper, ASTM-B-152
Dielectric	TFE Fluorocarbon, MIL-P-19468A

Finish :

Body, Ferrule	Gold
Center Contact	Gold

Applications:

ARINC 404/600

Notes :

1) Please refer to T-110928 Termination Instruction
sheet for strip dimensions & instructions.