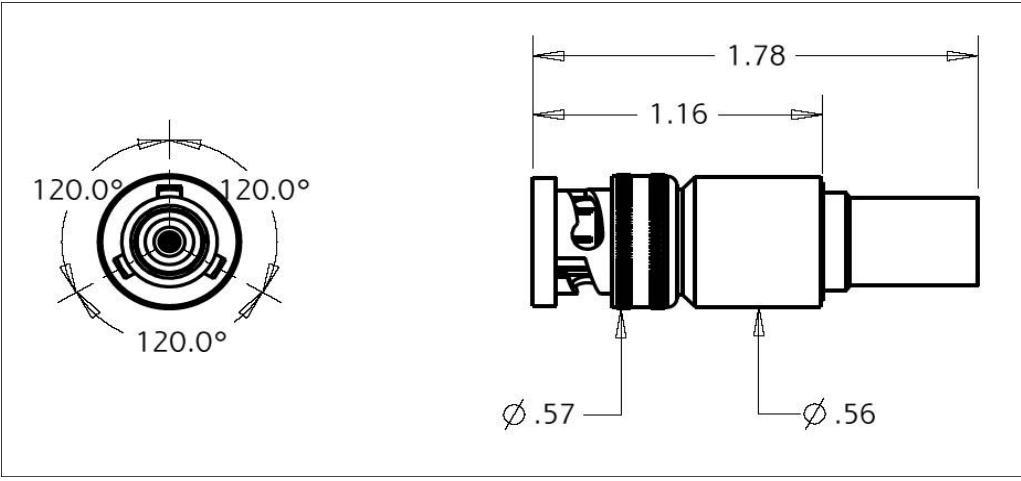


| | | |
|---|--------------------------------|-------------------------|
| PIC Wire & Cable | Connector Specification | P/N 110764 |
| <i>A Division of the Angelus Corporation</i> Ph (262) 246-0500 Fax (262) 246-0450 www.picwire.com PO Box 330 Sussex, WI 53089 | Approved : <i>MCT</i> | Date : 03/31/15 |
| | Distribution : USER | Rev. 0 |
| | | Uncontrolled if Printed |

TRB Straight Plug (120°/120°/120°)
for S33141



PERFORMANCE

| | |
|-----------------------|--------------|
| Nominal Impedance | 50 Ohms |
| Frequency Range | 0 - 4 GHz |
| Voltage Rating | 500 VRMS |
| Insulation Resistance | 5000 Megohms |

CONNECTOR WEIGHT (Each)

1.06 ounces (30.05 grams)

RoHS COMPLIANT

Complies to RoHS Standards

INSTALLATION

PIC Die Set
Crimp Contact
 M22520 / 5-01, Tool
 190318, Die Set
 (.098 hex)

Crimp Ferrule
 M22520 / 5-01, Tool
 190318, Die Set
 (.324/.392 hex)

MIL Spec Die Set*
Crimp Contact
 M22520 / 5-01, Tool
 M22520 / 5-29, Die Set
 (.100 B hex)

Crimp Ferrule
 M22520 / 5-01, Tool
 M22520 / 5-29, Die Set
 (.324 A hex)

CONSTRUCTION

Materials:

| | |
|----------------|--|
| Body | Brass, ASTM-B16, Alloy UNS 36000, H02 |
| Center Contact | Brass, ASTM-B16, Alloy UNS 36000, H02 |
| Ferrule | Brass, ASTM-B16, Alloy UNS 36000, Dead Soft, Weatherseals included |
| Dielectric | TFE Fluorocarbon, ASTM-D1710, Type 1, Grade 1 |
| Gasket | Silicone Rubber, ZZ-R-765 |

Finish :

| | |
|----------------|--------|
| Body, Ferrule | Nickel |
| Center Contact | Gold |

Applicable Standards : MIL-STD-348
 MIL-PRF-39012

- Notes :**
- 1) A 2.5" piece of Raychem ATUM heat shrink P/N ATUM-16/4-0 provided with connector for purpose of strain relief & moisture protection.
 - 2) Please refer to T-110764 Termination Instruction sheet for strip dimensions & instructions.

* Note - MIL Spec die to be used on the smaller diameter area of ferrule only. Not the larger "Bell" area on end.