

A Division of the Angelus Corporation

Ph (262) 246-0500 Fax (262) 246-0450 www.picwire.com

PO Box 330 Sussex, WI 53089

Approved :

Date : 09/25/13

Rev : 4 (04/26/19)

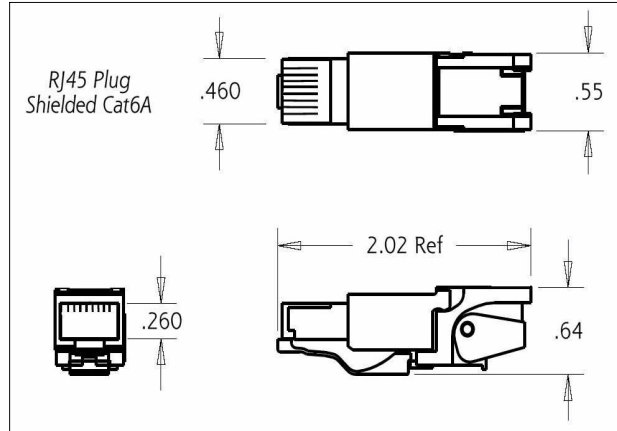
Distribution : User

Uncontrolled if Printed

RJ45 Plug Connector (Shielded Cat 6a)

For conductors with an insulation OD range of 0.039" - 0.063"

(For ANSI/TIA/EIA 568A Pin-Out Termination Only)



Not Shown ; dust cap for RJ45 (removed upon installation)

PERFORMANCE

Exceeds ANSI/TIA/EIA Cat 6A

Current / Voltage: 1.0 Amps @ 30 VAC / 42 VDC

Contact Resistance: 20 milliOhms Max

ENVIRONMENTAL

Temperature Rating -40° C to +85° C

Insertion / Extraction 750 cycles Min

CONNECTOR WEIGHT (Each)

.82 ounces (23.36 grams)

RoHS COMPLIANT

Complies to RoHS Standards

REQUIRED TOOLING (2)

PIC P/N 110701 - Soft Jaw Clamping Pliers

Note : Similar Soft Jaw Pliers can be used

Notes :

(1) A 1.0" piece of Raychem ATUM heat shrink P/N ATUM-12/3-0 provided with connector for purpose of strain relief & moisture protection.

(2) Please refer to T-110650 Termination Instruction sheet for strip dimensions & instructions.

CONSTRUCTION**Materials:**

Plug Housing Zinc diecast

Contacts Spring Steel

Contact Housing, Load Bar, Wire Carrier Polycarbonate, UL 94-V0

RJ45 Latch, Hook, Strain Relief Lever, Dust Cap Polybutylene Terephthalate, UL 94-V0

PCB FR4, UL 94-V0

IDC Contacts Phosphor Bronze

Shield Contact Brass

Strain Relief (1) ATUM Dual Wall Shrink Tube (MIL-DTL-23053/4, Class 3)

Finish :

Contacts Gold

Plug Housing, Shield Contact Nickel

IDC Contacts Tin

Applicable Standards :

ANSI/TIA-1096-A

ANSI/TIA/EIA 568-C.2