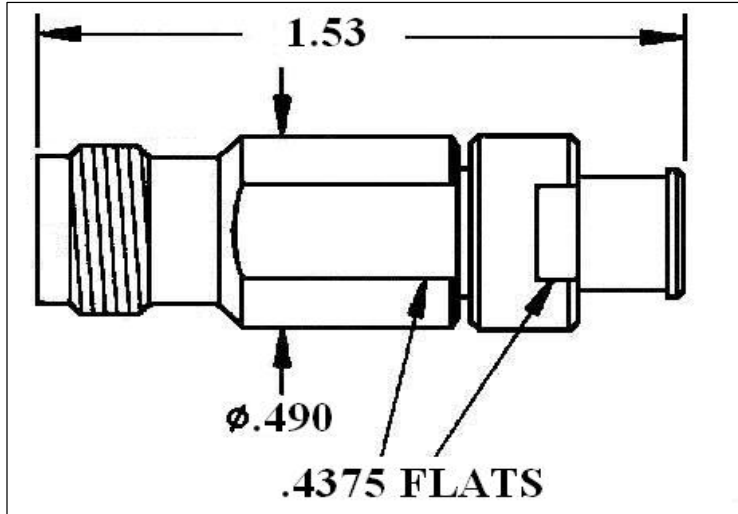


PIC Wire & Cable <i>A Division of the Angelus Corporation</i> Ph 262-246-0500 Fax 262-246-0450 PO Box 330 Sussex, WI 53089	Connector Specification	110526
	Approved <i>MCT</i>	Date 12/08/10
	Distribution : USER	Rev. 1 (06/25/13) Uncontrolled Document

ETNC Straight Jack
for S29113 Cables



Features Not Shown : Safety Wire Holes

PERFORMANCE

Nominal Impedance	50 Ohms
Frequency Range	DC - 18 GHz
Temperature Rating	- 65° to + 200° C

CONNECTOR WEIGHT (Each)

0.656 ounces (18.597 grams)

RoHS COMPLIANT

Complies to RoHS Standards

INSTALLATION

Crimp Tooling

Solder-on Termination

CONSTRUCTION

Materials:

Body	Stainless Steel
Coupling Nut	Stainless Steel
Center Contact	Beryllium Copper
Dielectric	PTFE
Gasket	Silicon Rubber

Finish :

Body, Coupling Nut	Passivated
Center Contact	Gold

Applicable Standards

MIL-STD 348A
MIL-C-39012
MIL-C-87104/2

Notes :

- 1) A 1.5" piece of Raychem ATUM heat shrink P/N ATUM-12/3-0 provided with connector for purpose of strain relief & moisture protection.
- 2) Please refer to T-110526 Termination Instruction sheet for strip dimensions & instructions.