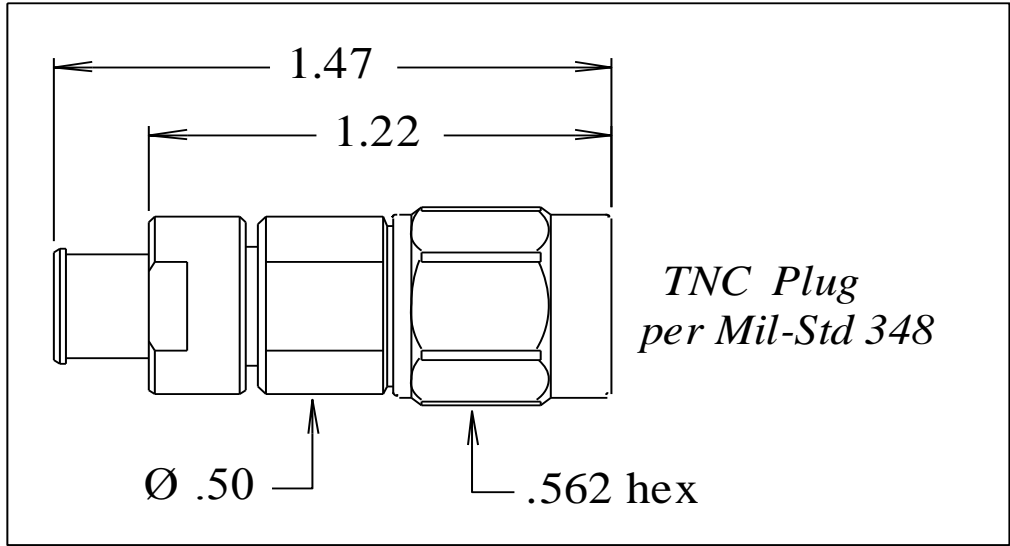


PIC Wire & Cable <i>A Division of the Angelus Corporation</i> Ph 262-246-0500 Fax 262-246-0450 PO Box 330 Sussex, WI 53089	Connector Specification	110435
	Approved <i>MCT</i>	Date 07/10/07
	Distribution : USER	Rev. 4 (06/25/13) Uncontrolled Document

TNC Straight Plug
for S29156, S28150



Features Not Shown : Gasket in Front

PERFORMANCE

Nominal Impedance	50 Ohms
Frequency Range	DC - 15 GHz
Temperature Rating	- 65° to + 200° C
Voltage Rating	500 VRMS

CONNECTOR WEIGHT (Each)

.94 ounces (26.53 grams)

RoHS COMPLIANT

Complies to RoHS Standards

INSTALLATION

Crimp Tooling:

Solder-on Termination

CONSTRUCTION

Materials:

Body	Stainless Steel
Coupling Nut	Stainless Steel
Center Contact	Brass, Beryllium Copper
Dielectric	PTFE
Gasket	Silicon Rubber

Finish :

Body, Coupling Nut	Passivated
Center Contact	Gold

<i>Applicable Standards</i>	MIL-STD 348A MIL-C-39012
-----------------------------	-----------------------------

Notes :

1) Please refer to T-110435 Termination Instruction sheet for strip dimensions & instructions.