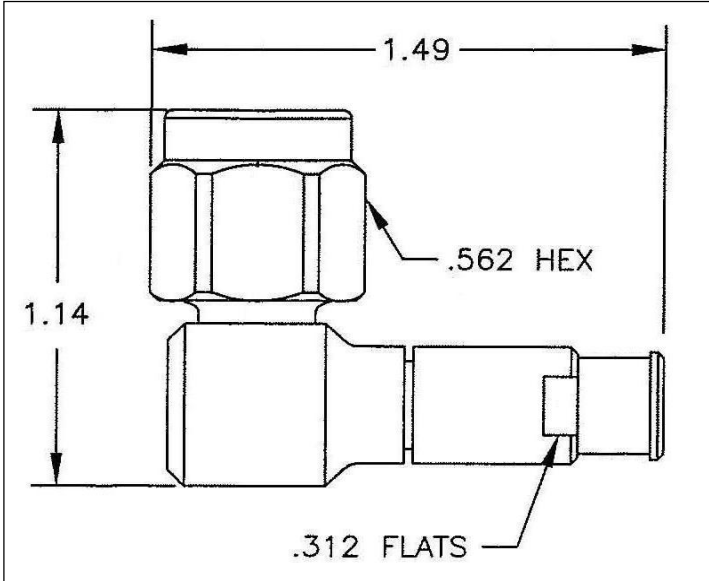


<b>PIC Wire &amp; Cable</b> <i>A Division of the Angelus Corporation</i> Ph 262-246-0500      Fax 262-246-0450 PO Box 330 Sussex, WI 53089	<b>Connector Specification</b>	<b>110425</b>
	Approved <i>MCT</i>	Date 06/8/10
	Distribution : USER	Rev. 1 (06/25/13) Uncontrolled Document

**TNC 90° Plug**  
for S29156



**PERFORMANCE**

Nominal Impedance    50 Ohms  
Temperature Rating    - 65° to + 200° C

**CONNECTOR WEIGHT (Each)**

1.34 ounces (37.87 grams)

**RoHS COMPLIANT**

Complies to RoHS Standards

**INSTALLATION**

***Crimp Tooling:***  
Solder-on Termination

**CONSTRUCTION**

**Materials:**

Body	Stainless Steel
Coupling Nut	Stainless Steel
Center Contact	Beryllium Copper
Dielectric	Micro-porus PTFE
Insulator	PTFE
Gasket	Silicon Rubber

**Finish :**  
Center Contact    Gold

**Applicable Standards**  
MIL-STD 348A  
MIL-C-39012

**Notes :**  
1) Please refer to T-110425 Termination Instruction sheet for strip dimensions & instructions.