

PIC Wire & Cable

A Division of the Angelus Corporation

Ph 262-246-0500

Fax 262-246-0450

PO Box 330 Sussex, WI 53089

Connector Specification**110378**

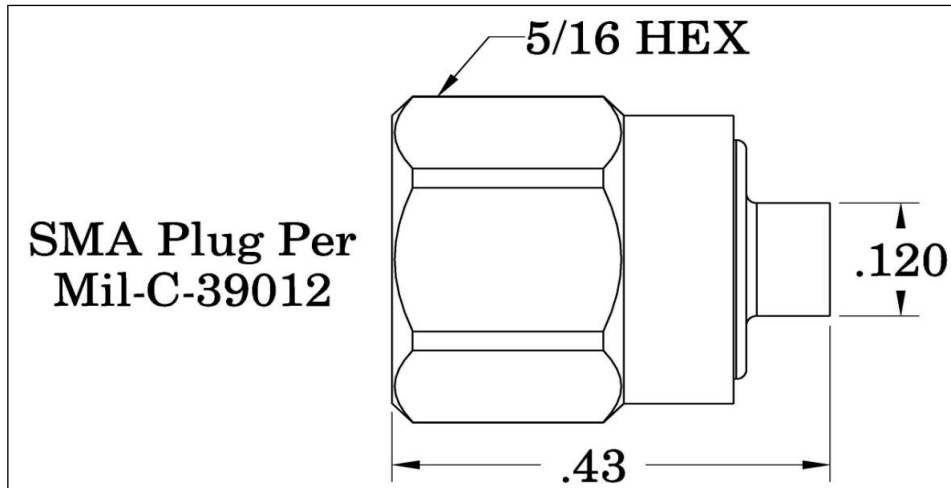
Approved

Date 08/05/09

Rev. 1 (06/25/13)

Distribution : USER

Uncontrolled Document

SMA Str Plug
for S40501 / S40506**PERFORMANCE**

Nominal Impedance	50 Ohms
Frequency Range	0 - 11 GHz
Voltage Rating	500 VRMS
Insulation Resistance	5000 Megohms

CONNECTOR WEIGHT (Each)

.192 ounces (5.44 grams)

RoHS COMPLIANT

Complies to RoHS Standards

CONSTRUCTION**Materials:**

Body	Stainless Steel, ASTM-A-582-80
Coupling Nut	Stainless Steel, ASTM-A-582-80
Center Contact	Beryllium Copper, QQ-C-530
Gasket	Silicone Rubber
Dielectric	Teflon

Finish :

Body, Ferrule	Gold
Center Contact	Gold

Applicable Standards	MIL-STD 348 MIL-PRF-39012
-----------------------------	------------------------------

Notes :

1) A .375" piece of Raychem ATUM heat shrink P/N ATUM-4/1-0 provided with connector for purpose of strain relief & moisture protection.

2) Please refer to T-110378 Termination Instruction sheet for strip dimensions & instructions.