
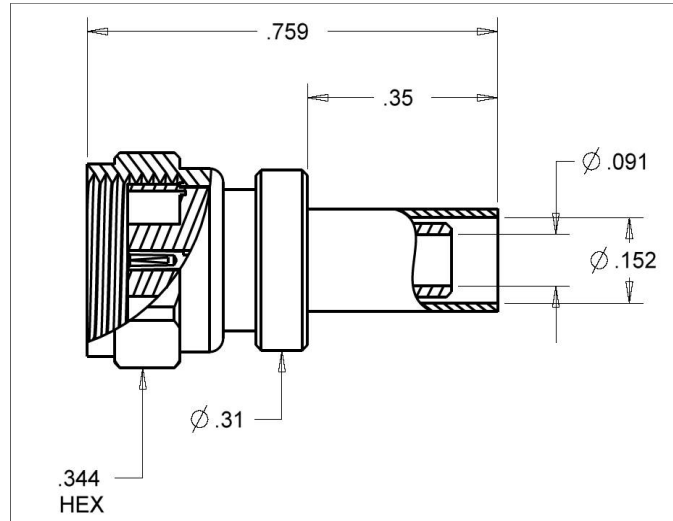


PIC Wire & Cable	Connector Specification	P/N 110285
<i>A Division of the Angelus Corporation</i> Ph (262) 246-0500 Fax (262) 246-0450 www.picwire.com PO Box 330 Sussex, WI 53089	Approved : 	Date : 04/04/03
	Distribution : USER	Rev. 8 (03/14/17)
		Uncontrolled if Printed

SMC Type (non-standard) 75 Ohm Screw-On Female Plug
for V75268 / V76261 / V73263



PERFORMANCE

Nominal Impedance	75 Ohms
Frequency Range	0 - 3 GHz
Voltage Rating	250 V(rms) @ Sea Level
Insulation Resistance	1000 Megohms min

CONNECTOR WEIGHT (Each)

0.15 ounces (4.25 grams)

INSTALLATION

Crimp Tooling:

<i>Center Contact</i>	M22520 / 2 - 01 Tool : Selector Dial @ # 3 Recommended Positioner : PIC P/N 110377 (Daniels # K1452-1) or Daniels # K1452
<i>Crimp Ferrule</i>	M22520 / 5 - 01 Tool : Die Set (0.156 Hex) PIC P/N 110376 (Daniels # Y187)

CONSTRUCTION

Materials:

Body	Brass, ASTM-B16, H02
Center Contact	Beryllium Copper, ASTM-B196
Ferrule	Brass, ASTM-B16, H02
Dielectric	TFE Fluorocarbon, ASTM-D1710

Finish :

Body, Ferrule	Gold
Center Contact	Gold

RoHS COMPLIANT

Complies to RoHS Standards

Notes :

- 1) A 1.5" piece of Raychem ATUM heat shrink P/N ATUM-8/2-0 provided with connector for purpose of strain relief & moisture protection.
- 2) Please refer to T-1907XX Termination Instruction sheet for strip dimensions & instructions.
- 3) Recommended Coupling Nut torque = 5 in-lbs nominal