
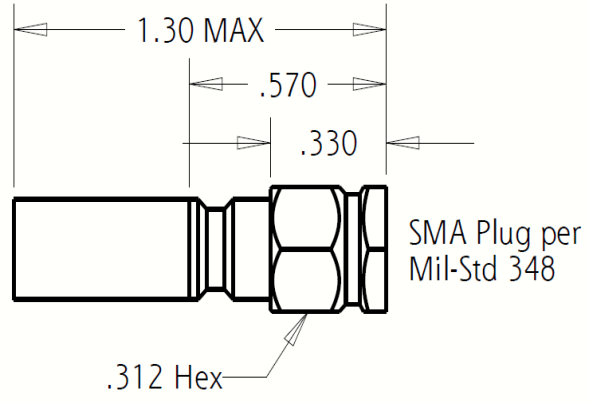


<b>PIC Wire &amp; Cable</b>	<b>Connector Specification</b>	<b>P/N 110198</b>
<i>A Division of the Angelus Corporation</i> Ph (262) 246-0500 Fax (262) 246-0450 www.picwire.com PO Box 330 Sussex, WI 53089	Approved : 	Date : 01/29/04
		Rev : 2 (07/09/18)
	Distribution : USER	Uncontrolled if Printed

**SMA 50 Ohm Straight Plug**  
*for S44191, S44193, S46191, RG400 & RG142*



*Features Not Shown : Safety Wire Holes, Gasket in Front*

**PERFORMANCE**

Nominal Impedance :	50 Ohms
Frequency Range :	0 - 12 GHz
Voltage Rating :	335 V(rms)
Insulation Resistance :	5000 Megohms min.
Insertion Loss :	$0.06 \sqrt{F(\text{GHz})}$

**CONNECTOR WEIGHT (Each)**

0.2 ounces (5.63 grams)

**RoHS COMPLIANT**

Complies to RoHS Standards

**INSTALLATION**

**Center Contact**

M22520 / 1-01 Tool  
 Selector Dial Setting # 3  
 Positioner : M22520 / 1-15

**Crimp Ferrule**

M22520 / 5-01 Tool  
 M22520 / 5-11 Die Set  
 (.213" A hex)

**CONSTRUCTION**

**Materials:**

Body	Stainless Steel, ASTM-A582, Alloy UNS S30300
Cable Contact	Beryllium Copper, ASTM-B196, Alloy UNS C17300
Ferrule	Brass, ASTM-B16, Alloy UNS 36000, Dead Soft,
Dielectric	TFE Fluorocarbon, ASTM-D1710, Type 1, Grade 1
Gasket	Silicone Rubber

**Finish :**

Body	Passivated
Ferrule	Gold
Center Contact	Gold

**APPLICABLE STANDARDS**

MIL-STD 348, MIL-PRF-39012

**Notes :**

- 1) A 1.5" piece of Raychem ATUM heat shrink P/N ATUM-12/3-0 provided with connector for purpose of strain relief & moisture protection.
- 2) Please refer to T-110198 Termination Instruction sheet for strip dimensions & instructions.